

# Masport®

## FREESTANDING GAS FIRES

### SANTA FÉ

### Natural Gas / LPG

New Zealand/Australia - Flueless

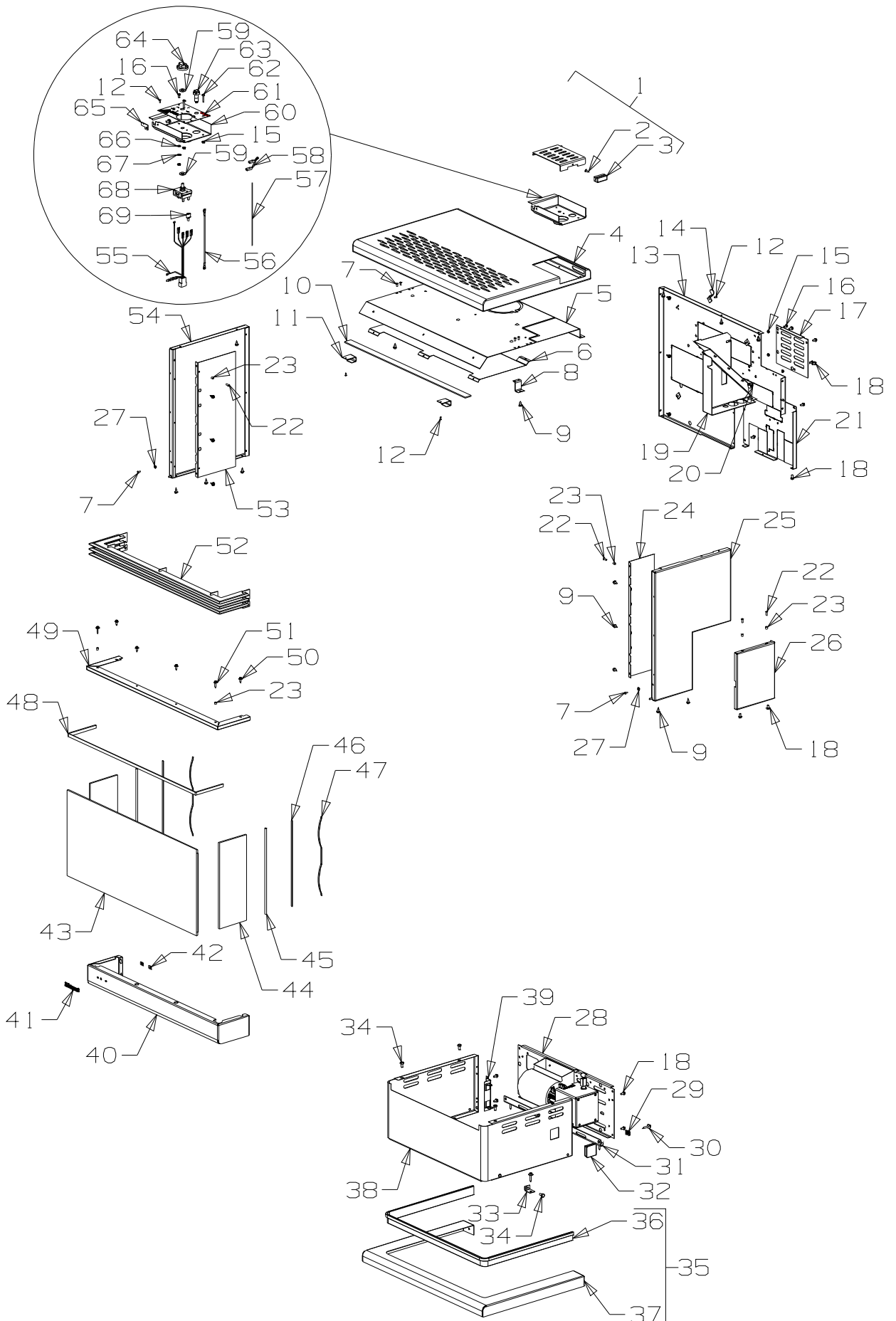
<b>Santa Fé</b>	Natural Gas	Black	991922	Page 2
	LPG	Black	991923	Page 2

<b>Fan</b>	Fan Assy-3 Speed - SE	788465	Page 6
------------	-----------------------	--------	--------

**From Serial Number 4012987**

**Date and Year of Manufacture: February 2004**

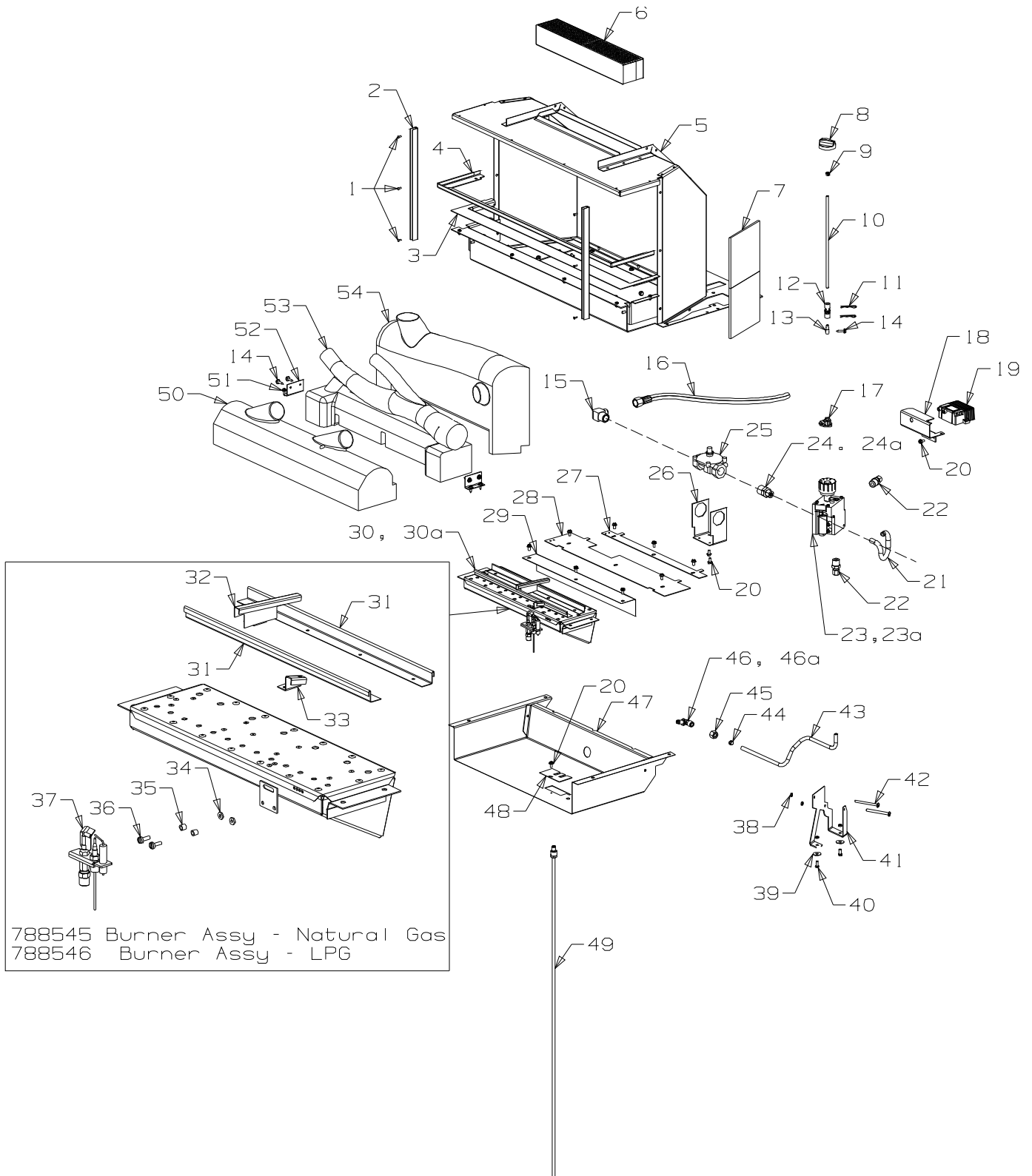






Item No	Part No	Description	Qty	Item No	Part No	Description	Qty
<b>1</b>	<b>988450</b>	<b>Lid-Control, Long - Black (Incl. items 2-3)</b>	<b>1</b>	<b>35</b>	<b>991077</b>	<b>Foot Assy - Black (Incl. items 36-37)</b>	<b>1</b>
<b>2</b>	<b>503004</b>	<b>• Screw; Csk No. 8 x 5/8"</b>	<b>1</b>	<b>36</b>	<b>791077</b>	<b>• Panel-Foot - Black</b>	<b>1</b>
<b>3</b>	<b>588233</b>	<b>• Knob-Cover, Control Valve</b>	<b>1</b>	<b>37</b>	<b>986218</b>	<b>• Trim-Foot - Gold</b>	<b>1</b>
<b>4</b>	<b>791350</b>	<b>Panel-Top - Black</b>	<b>1</b>	<b>38</b>	<b>791373</b>	<b>Pedestal - Black</b>	<b>1</b>
<b>5</b>	<b>991348</b>	<b>Heatshield-Top</b>	<b>1</b>	<b>39</b>	<b>988313</b>	<b>Bracket-Mounting, Thermodisc</b>	<b>1</b>
<b>6</b>	<b>991352</b>	<b>Heatshield-Top, Insert</b>	<b>1</b>	<b>40</b>	<b>791082</b>	<b>Panel-Front - Black (Incl. items 41-42)</b>	<b>1</b>
<b>7</b>	<b>586167</b>	<b>Rivet-Pop 4.0 Dia x 4.8</b>	<b>16</b>	<b>41</b>	<b>584581</b>	<b>• Badge - Silver</b>	<b>1</b>
<b>8</b>	<b>988082</b>	<b>Bracket-Mountng, Heatshield</b>	<b>2</b>	<b>42</b>	<b>503381</b>	<b>• Clip-Starlock, 4 Dia</b>	<b>2</b>
<b>9</b>	<b>503259</b>	<b>Screw; S/T 10 x .4</b>	<b>20</b>	<b>43</b>	<b>591041</b>	<b>Glass - 5 x 661 x 295</b>	<b>1</b>
<b>10</b>	<b>700714</b>	<b>Tape, Flat 3 x 25</b>	<b>2</b>	<b>44</b>	<b>988002</b>	<b>Glass - 5 x 295 x 113</b>	<b>2</b>
<b>11</b>	<b>991201</b>	<b>Hook-Suspension, Louvre</b>	<b>2</b>	<b>46</b>	<b>988062</b>	<b>Strip-Backing, Glass Spring</b>	<b>2</b>
<b>12</b>	<b>503429</b>	<b>Rivet-Pop 3.2 Dia x 4.8</b>	<b>16</b>	<b>45</b>	<b>788510</b>	<b>Rope-Round, 5.5 Fibre Glass</b>	<b>1</b>
<b>13</b>	<b>791094</b>	<b>Panel-Rear - Black</b>	<b>1</b>	<b>47</b>	<b>588048</b>	<b>Spring-Glass Retainer</b>	<b>2</b>
<b>14</b>	<b>991233</b>	<b>Hook-Hose</b>	<b>4</b>	<b>48</b>	<b>790229</b>	<b>Tape-Glass, Flat 3 x 10</b>	<b>1</b>
<b>15</b>	<b>503622</b>	<b>Nut, M4</b>	<b>6</b>	<b>49</b>	<b>991414</b>	<b>Trim-Glass Retainer, Top - Silver</b>	<b>1</b>
<b>16</b>	<b>503621</b>	<b>Screw, Pan M4 x 8</b>	<b>4</b>	<b>50</b>	<b>503704</b>	<b>Screw; S/T 8 x .5</b>	<b>8</b>
<b>17</b>	<b>791081</b>	<b>Panel-Access, Piezo - Black</b>	<b>1</b>	<b>51</b>	<b>503726</b>	<b>Screw; S/T 8 x .75</b>	<b>6</b>
<b>18</b>	<b>503630</b>	<b>Screw; S/T 10 x .4</b>	<b>31</b>	<b>52</b>	<b>791353</b>	<b>Louvre Assy - Black</b>	<b>1</b>
<b>19</b>	<b>791024</b>	<b>Heatshield Assy - Control Panel</b>	<b>1</b>	<b>53</b>	<b>988063</b>	<b>Heatshield-Side</b>	<b>1</b>
<b>20</b>	<b>586734</b>	<b>Bush-Plastic</b>	<b>1</b>	<b>54</b>	<b>791086</b>	<b>Panel-Side, LH - Black</b>	<b>1</b>
<b>21</b>	<b>791091</b>	<b>Panel-Rear Access - Black</b>	<b>1</b>	<b>55</b>	<b>788460</b>	<b>Loom-Fan, Remote</b>	<b>1</b>
<b>22</b>	<b>501303</b>	<b>Rivet-Pop 4 Dia x 7.9</b>	<b>4</b>	<b>56</b>	<b>591299</b>	<b>Lead-Earth, Piezo</b>	<b>1</b>
<b>23</b>	<b>986148</b>	<b>Spacer-Grille</b>	<b>4</b>	<b>57</b>	<b>591401</b>	<b>Lead-Piezo, Battery</b>	<b>1</b>
<b>24</b>	<b>991029</b>	<b>Heatshield-Side, RH</b>	<b>1</b>	<b>59</b>	<b>501704</b>	<b>Washer, Flat 10 x 19 x 1.6</b>	<b>2</b>
<b>25</b>	<b>791089</b>	<b>Panel-Side, RH - Black</b>	<b>1</b>	<b>60</b>	<b>991228</b>	<b>Panel-Backing, Control</b>	<b>1</b>
<b>26</b>	<b>791080</b>	<b>Panel-Access, Control</b>	<b>1</b>	<b>61</b>	<b>591223</b>	<b>Plate-Control Panel</b>	<b>1</b>
<b>27</b>	<b>986149</b>	<b>Spacer-Front Panel</b>	<b>4</b>	<b>62</b>	<b>503661</b>	<b>Screw, Pan M4 x 20</b>	<b>2</b>
<b>28</b>	<b>788465</b>	<b>Fan Assy-Complete</b>	<b>1</b>	<b>63</b>	<b>591257</b>	<b>Switch-Reset</b>	<b>1</b>
<b>29</b>	<b>503388</b>	<b>Nut-Spire</b>	<b>2</b>	<b>64</b>	<b>585625</b>	<b>Knob-Fan Switch</b>	<b>1</b>
<b>30</b>	<b>503459</b>	<b>Screw, S/T 12 x 25</b>	<b>6</b>	<b>65</b>	<b>988435</b>	<b>Catch-Hinge, Lid</b>	<b>1</b>
<b>31</b>	<b>995612</b>	<b>Bracket-Restraint, Seismic</b>	<b>1</b>	<b>66</b>	<b>503106</b>	<b>Washer, Flat 5</b>	<b>1</b>
<b>32</b>	<b>586155</b>	<b>Plug-Switch Hole</b>	<b>1</b>	<b>67</b>	<b>503371</b>	<b>Washer, Fan Disc 5 ID x 10 OD Ext</b>	<b>1</b>
<b>33</b>	<b>986413</b>	<b>Bracket-Restraint, Seismic</b>	<b>2</b>	<b>68</b>	<b>585624</b>	<b>Switch-4 Position</b>	<b>1</b>
<b>34</b>	<b>501959</b>	<b>Screw, Set M6 x 12</b>	<b>6</b>	<b>69</b>	<b>588507</b>	<b>Terminal-Utilux (6.3mm)</b>	<b>1</b>

**Bold Text** = Assemblies  
**Bulleted Text** = Items included in Assemblies



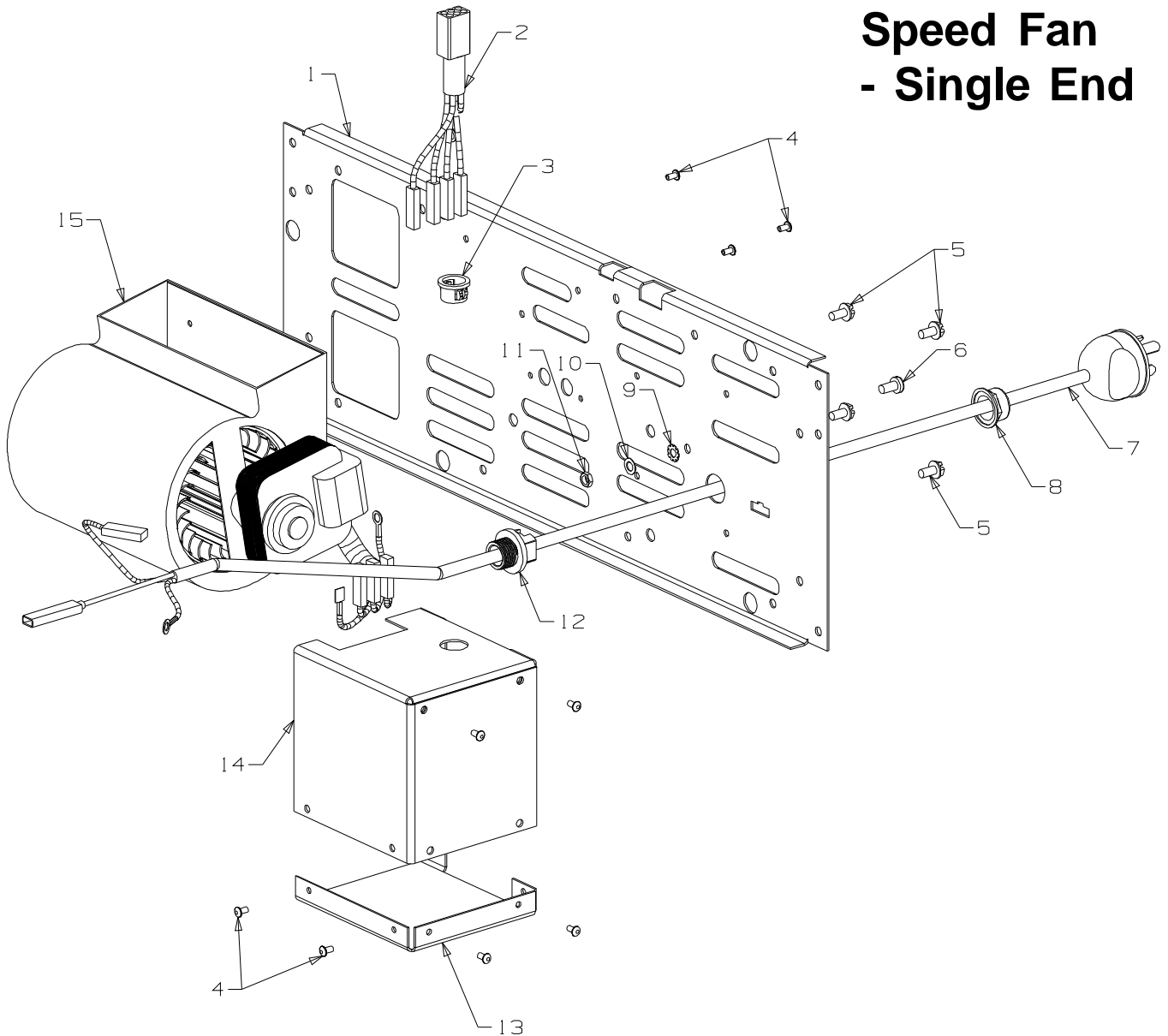


Item No	Part No	Description	Qty	Item No	Part No	Description	Qty
1	503429	Rivet-Pop 3.2 Dia x 4.8	16	28	988061	Plate-Meter, Front	
2	991367	Trim-Glass Retainer - Rear	2			- Natural Gas	1
3	788496	Plate-Cover, Glass	1	29	988347	Deflectr-Draught, Pilot Light	1
4	788497	Trim-Glass Retainer - Bottom	1	30	788545	Burner Assy - Natural Gas	
5		NOT AVAILABLE	1			(incl. items 30-37)	1
6	788320	Catalyst	1	30a	788546	Burner Assy - LPG	
7	588081	Board-Insulating, Ceramic	2			(incl. items 30-37)	1
8	588170	Knob-Control, Gas	1	31	988196	Plate-Flame Spreder	2
9	588399	Bush-Plastic	2	32	988369	Tube-Cross Light	1
10	591235	Rod-Control Valve	1	33	988370	Tube-X, Light Pilot	1
11	503652	Clip-Hairpin, 1.4mm Dia	2	34	502168	Nut, M4	2
12	588322	Universal-Control Valve	1	35	986148	Spacer-Grille	2
13	591069	Coupling-Control, Valve	1	36	503592	Screw-Pan M4 x 16	2
14	503726	Screw; S/T 8 x .75	6	37	588310	Pilot Assy-ODS	
15	591316	Fitting-Elbow 3/8" x 1/2" BSP				- Natural Gas	1
		- Natural Gas	1	37a	588374	Pilot Assy-ODS - LPG	1
16	591296	Hose Assy-Bayonet 3/8" BSP	1	38	501856	Nut, M5	4
17	591172	Adapter-Knob, Eurosit 630	1	39	503196	Washer; Flat 1/4" x .75	2
18	991232	Heatshield-Battery Ignition	1	40	501058	Screw, Set M5 x 12	2
19	591221	Ignitor-Battery	1	41	991182	Bracket-Mounting Valve	1
20	503630	Screw; S/T 10 x .4	31	42	503745	Bolt, Gutter M5 x 60	2
21	791176	Tube-Connecting, 5/16"	1	43	791071	Tube-Main Injector, SIT	1
22	588354	Fitting-Complete 8 x 3/8"	2	44	588172	Olive-M8, Brass	2
23	791074	Valve-Control Gas		45	588251	Nut, Injector 1/4"	1
		- Eurosit 630 - Natural Gas	1	46	588351	Injector-Main, 0.90	
		- Natural Gas	1			- Natural Gas	1
23a	791075	Valve-Control Gas		46a	588352	Injector-Main, 1.40 - LPG	1
		- Eurosit 630 LPG	1	47	988291	Heatshield-Pedestal	1
24	588077	Fitting-Complete 8 x 1/2"		48	988562	Plate-Cover, Heatshield	1
		- Natural Gas	1	49	791072	Tube-Inlet, Pilot	
24a	591397	Fitting-Flar 3/8" x 3/8" BSP				3/16" x 725mm	1
		- LPG		50	988343	Log-Ceramic, Front	1
25	588051	Regulator-1/2" - Natural Gas	1	51	503704	Screw; S/T 8 x .5	8
26	988065	Bracket-Mounting, Regulator		52	991374	Bracket-Middle Log	2
		- Natural Gas	1	53	988373	Log Assy-Ceramic	1
27	988145	Plate-Meter, Rear		54	988056	Log-Ceramic, Rear	1
		- Natural Gas	1				

**Bold Text** = Assemblies  
**Bulleted Text** = Items included in Assemblies



## Three Speed Fan - Single End



**Part No. 788465 Black**

Item No	Part No	Description	Qty	Item No	Part No	Description	Qty
1	791150	Panel-Fan Mounting - Black	1	11	501856	Nut, M5	2
2	588459	Loom-Adaptor, Fan	1	12	502068	Clamp-Cable	1
3	586734	Bush-Plastic	1	13	988469	Cover-Fan Motor, Bottom	1
4	501767	Rivet-Pop, 3.2 Dia x 3.2	9	14	988468	Cover-Fan Motor, Top	1
5	503630	Screw, S/T 10 x .4	4	15	586174	Fan, 3 Speed - Single End	1
6	501857	Screw, Pan M5 x 10	1			<b>NOT ILLUSTRATED</b>	
7	588068	Loom-3 Pin, Fan	1				
8	577089	Nut-Cable	1				
9	503371	Washer, Fan Disc 5 ID x 10 OD	1				
10	503106	Washer, Flat M5	2		591321	Terminal-Utilux	4



Part No	Description	Qty
<b>NOT ILLUSTRATED</b>		
503054	Tie-Nylon Cable	1
556123	Paint, Touch Up - Blue/Black	1
791170	Kit-Conversion - LPG to Natural Gas	1
791073	Kit-Conversion - Natural Gas - BM to SIT	1
790182	Kit-Conversion - LPG - BM to SIT	1
791179	Kit-Regulator - LPG/Natural Gas	1
503662	Retainer-Cable, Jet Press	1
591170	Jet-Minimum Turn Down 1.9 x 2 - Natural Gas	1
591171	Jet-Minimum Turn Down 1.6 x 1 - LPG	1
791412	Switch-Ignition	1
591411	Cover-Switch, Ignition	1
591575	Owners Manual	1

**HEAD OFFICE - NEW ZEALAND**

1 - 37 Mt Wellington Highway  
Panmure, Auckland 6  
Phone: (9) 571 1200  
Fax: (9) 571 5864

**HEAD OFFICE - AUSTRALIA**

P.O. Box 533, Braeside  
Postcode: 3195  
Phone: 1300 366 225  
Fax: 1800 035 594